

TE 540 3D

for unrebated heavy-duty doors



Product features

- completely concealed hinge system
- for timber, steel or aluminium frames
- for unrebated heavy-duty doors
- sideways closed hinge body for a homogeneous mortise appearance
- with comfortable 3D adjustment (side +/- 3,0 mm, height +/- 3,0 mm, compression +/- 1,0 mm)
- maintenance-free slide bearings

Technical details

Attributes	Value
Load capacity	120,0 kg
Overall length	200,0 mm
Width (door part)	32,0 mm
Width (frame part)	32,0 mm
Cutter diameter	24,0 mm
Opening angle	180°

Note

The load capacity mentioned above refers to the use of 2 hinges

Quality marks



Certification CE



Certification IFT



Certification UL



Certification Warringtonfire

Classification key

4	7	6	1 ^{*1}	1	— ^{*2}	1	13
---	---	---	-----------------	---	-----------------	---	----

*1 Test evidence for functional doors to be achieved with full door sets and assemblies.

*2 depending on the finish

TECTUS - TE 540 3D

per door leaf (1 x 2 m), for detailed information please look at the chapter "technical information".

With an opening position of 180° the door may have to be fixed additionally.

Suitable for

Universal milling frame

Template 5 250680 5

Template 5 250681 5

step 1

step 2

Combinations

TE 540 3D FZ

TE 540 3D SZ

TE 540 3D ST

Function range



burglar resistance



fire resistance



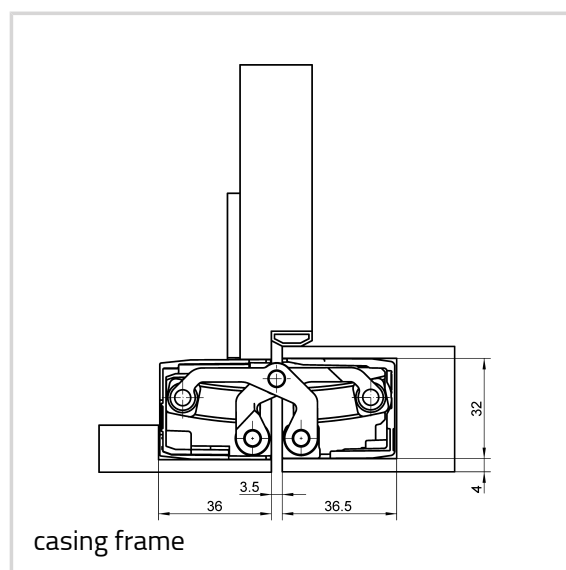
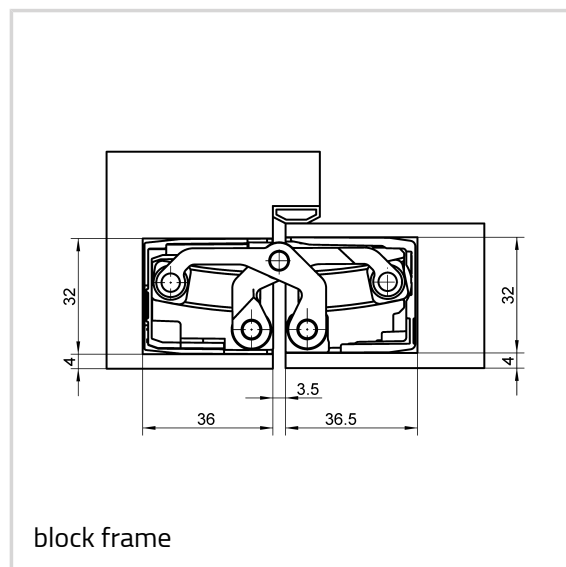
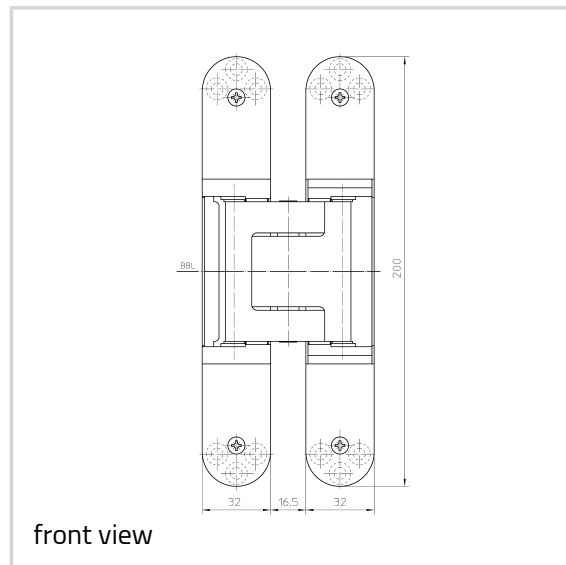
smoke resistance



soundproof

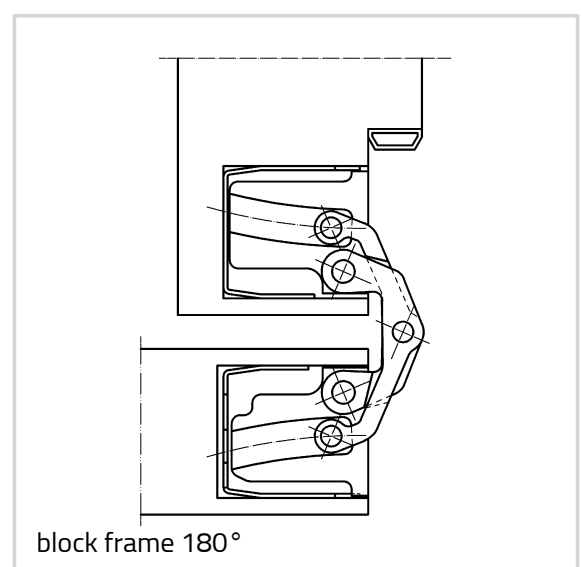
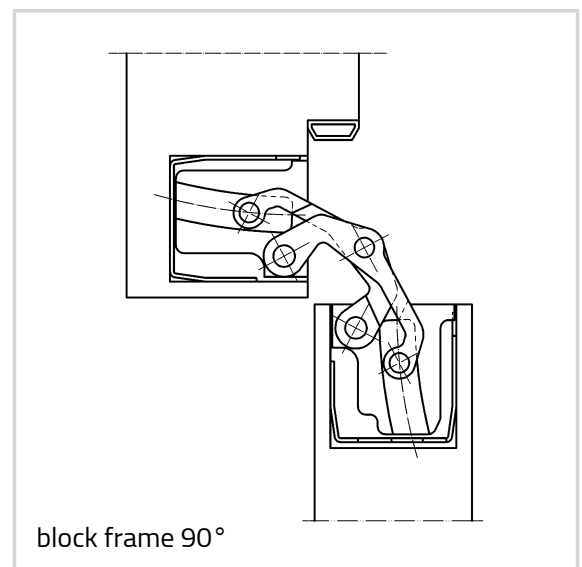
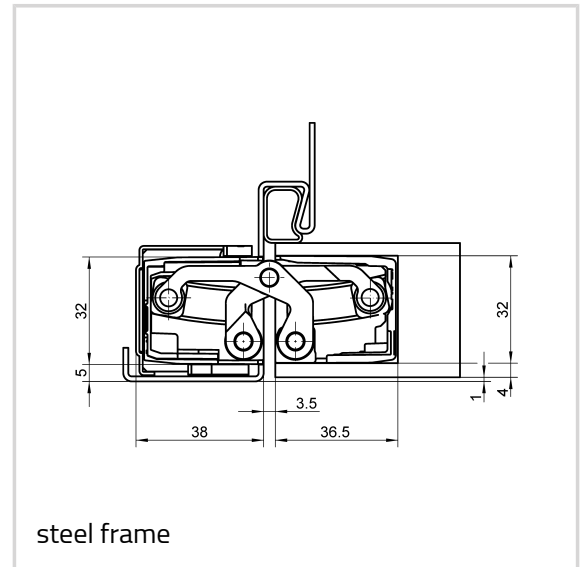
Item

Finish(es)	polished brassed (030)
OF-NR.	030
VPE	pack of 2
DIN	DIN right and left hand
Item No.	5 400687 0 03002
EAN	4015471126162
Finish(es)	polished nickelled (038)
OF-NR.	038
VPE	pack of 2
DIN	DIN right and left hand
Item No.	5 400687 0 03802



TECTUS - TE 540 3D

EAN	4015471126179
Finish(es)	RAL 9005 Matte Black (107)
OF-NR.	107
VPE	pack of 2
DIN	DIN right and left hand
Item No.	5 400687 0 10702
EAN	4015471126094
Finish(es)	Satin Chrome Look (F1) (124)
OF-NR.	124
VPE	pack of 2
DIN	DIN right and left hand
Item No.	5 400687 0 12402
EAN	4015471125554
Finish(es)	Satin Nickel Look (F2) (125)
OF-NR.	125
VPE	pack of 2
DIN	DIN right and left hand
Item No.	5 400687 0 12502
EAN	4015471126070
Finish(es)	Stainless Steel Look (SSL) (126)
OF-NR.	126
VPE	pack of 2
DIN	DIN right and left hand
Item No.	5 400687 0 12602
EAN	4015471126209
Finish(es)	Bronze Finish (174)
OF-NR.	174
VPE	pack of 2
DIN	DIN right and left hand
Item No.	5 400687 0 17402
EAN	4015471126223
Finish(es)	Bronze Finish light (175)
OF-NR.	175
VPE	pack of 2
DIN	DIN right and left hand



TECTUS - TE 540 3D

Item No.	5 400687 0 17502
EAN	4015471126230
Finish(es)	Bronze Finish dark (176)
OF-NR.	176
VPE	pack of 2
DIN	DIN right and left hand
Item No.	5 400687 0 17602
EAN	4015471126247
Finish(es)	coloured (079)
OF-NR.	079
VPE	EUR-pallet
DIN	DIN right and left hand
Item No.	5 400687 0 07975
EAN	4015471126124