



6-1410 Flush Pull Handle PA



Advantages

- Can be installed without tools.
- a) Outside dimensions 110 x 57mm (4.331 x 2.244).
- b) Outside dimensions 94 x 41mm (3.701 x 1.614).
- Suitable for different door-thicknesses.
- The dimensions of the cutouts for different door-thicknesses are indicated in the table.

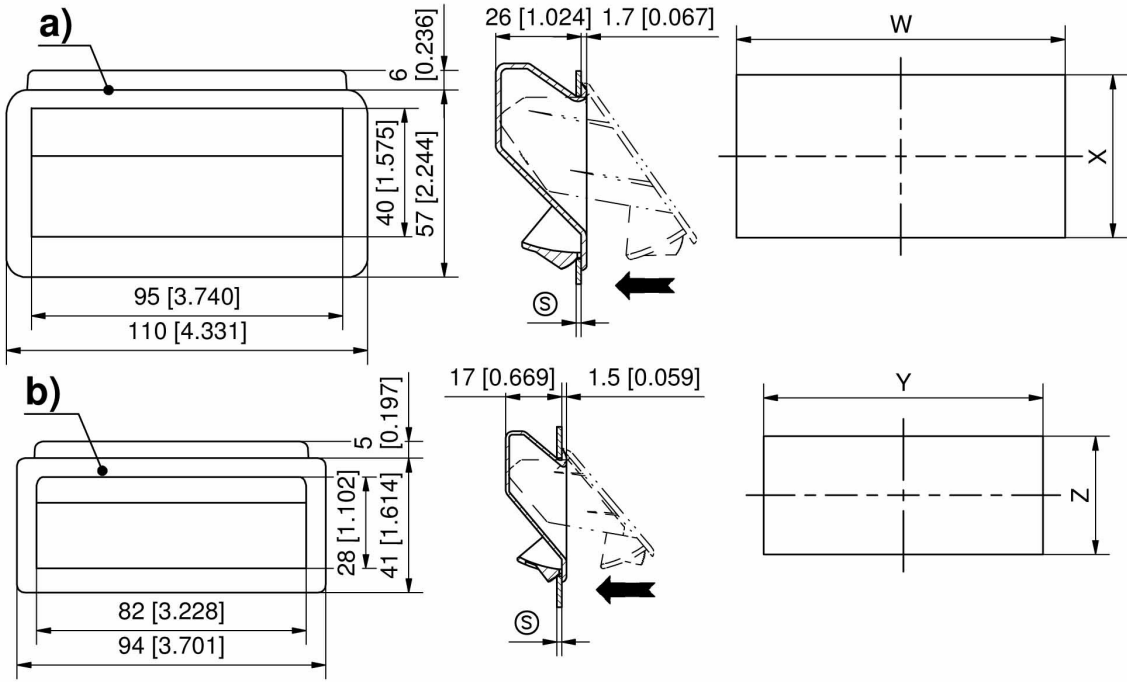
Materials

- **Dish handle:** PA, black



Recessed handle

	Part Number	Dimension	Installation type
a)	213-0705.51-00000	110 x 57 mm	clip-in
b)	213-0703.03-00000	94 x 41 mm	clip-in



door-thickness mm [inch]	W	X
1.5-2.0 [0.059-0.079]	100+0.5[3.937]	49.6+0.2[3.937]
2.0-3.2 [0.079-0.126]	100+0.5[3.937]	50.3+0.3[1.980]
3.2-3.5 [0.126-0.138]	100+0.5[3.937]	51.0+0.3[2.008]

door-thickness mm [inch]	Y	Z
0.75-0.79[0.030-0.079]	85+0.2[3.346]	34.8+0.2[1.370]
0.8-1.4[0.032-0.055]	85+0.2[3.346]	35+0.2[1.378]
1.5-2.2[0.059-0.087]	85+0.2[3.346]	36+0.3[1.417]