

Status: 2021/04/15



- allows you to carry tool bags directly on your body, and is suitable for the ProClick tool belt and most commercially-available belts
- intuitive and patented click connection
- compatible with the entire ProClick system

1. Dimensions

External dimensions: 83 mm x 58 mm x 72 mm

2. Weight

Empty weight 70 g

3. Color

Holder: RAL 9017 traffic black
Release button: RAL 5017 traffic blue

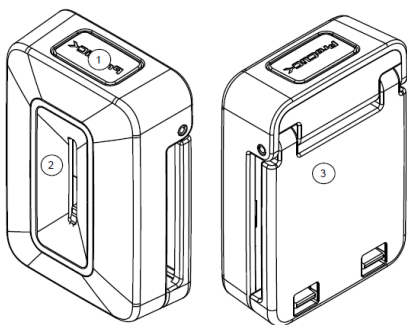
4. Materials

Holder: Polyamide PA6 GF30
Release button: Polyamide PA6 GF30

5. Load capacity

Maximum payload: 5 kg

6. Structure and function



- (1) Release button
- (2) Connection slot for tool bags
- (3) Belt fixation (belt width max. 50 mm)

7. REACH and PAH compliance

Compliant with REACH directive EC 1907/2006 and PAH directive EU 1272/2013